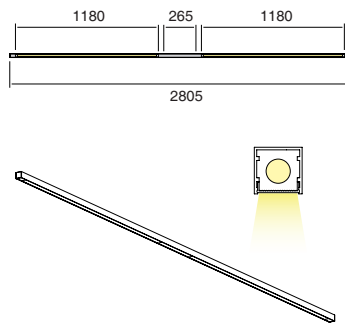




PROFILE SIDONY KIT

[SIDONY DUO kit 2x28W]



A 28993

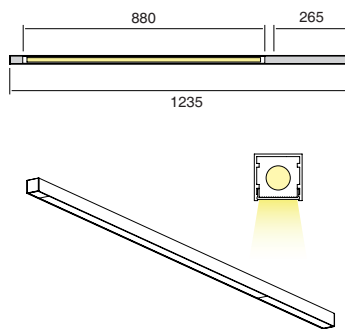
≡ | 2xT5-FH28W | G5 | EVG

220...240V | 50...60Hz | \diamond | (P) | IP20 | III | 90° C

Provided with a prismatic satinised polycarbonate cover down. Cable suspension 1,25m. Flexible alu power supply 3x0,75mm²

665

[SIDONY kit 1x21W]



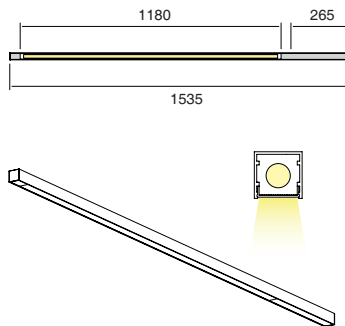
A 28991

≡ | T5-FH21W | G5 | EVG

220...240V | 50...60Hz | \diamond | (P) | IP20 | III | 90° C

Provided with a prismatic satinised polycarbonate cover down. Cable suspension 1,25m. Flexible alu power supply 3x0,75mm²

[SIDONY kit 1x28W]



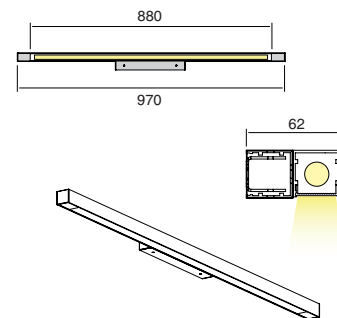
A 28992

≡ | T5-FH28W | G5 | EVG

220...240V | 50...60Hz | \diamond | (P) | IP20 | III | 90° C

Provided with a prismatic satinised polycarbonate cover down. Cable suspension 1,25m. Flexible alu power supply 3x0,75mm²

[SIDONY WALL kit 1x21W]



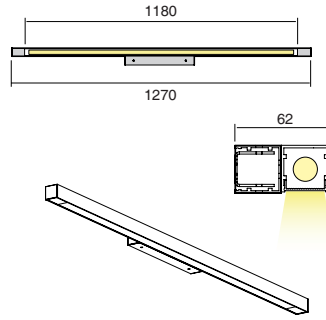
A 28994

≡ | T5-FH21W | G5 | EVG

220...240V | 50...60Hz | \diamond | (P) | IP20 | III | 90° C

Provided with a prismatic satinised polycarbonate cover down.

[SIDONY WALL kit 1x28W]



A 28995 L = 1180mm

⇐ | T5-FH28W | G5 | EVG

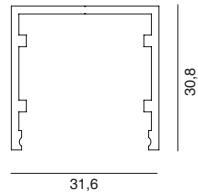
220...240V | 50...60Hz | | | IP20 | |

Provided with a prismatic satinised polycarbonate cover down.

PROFILE SIDONY TAILOR MADE

A/PROFILE

[SIDONY profile-M]

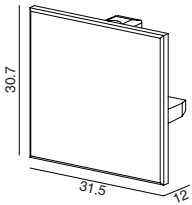


A 28970

Max. profile length is 6m.
One circuit is standard.

[SIDONY endcap]

A 28974



B/COLOUR OPTIONS

RAL 32897

BS 32898

WS 32899

1. SUSPENSION

< current power supply unit

[TRANSPARANT power supply unit]



- AS 21200 | $\sqrt{0,14}$ | L = 1,25m | 3x0,75mm²
- AS 21201 | $\sqrt{0,17}$ | L = 1,25m | 5x0,75mm²
- AS 21205 | $\sqrt{0,26}$ | L = 4m | 3x0,75mm²
- AS 21206 | $\sqrt{0,38}$ | L = 4m | 5x0,75mm²
- AS 21204 | $\sqrt{0,46}$ | L = 1,25m | 7x0,75mm²
- AS 21207 | $\sqrt{0,50}$ | L = 4m | 7x0,75mm²

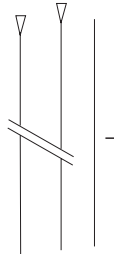
[FLEXIBLE ALUMINIUM power supply unit]



- AS 21134 | $\sqrt{0,34}$ | L = 1,25m | 3x0,75mm² | PG7
- AS 21141 | $\sqrt{0,80}$ | L = 4m | 3x0,75mm² | PG7

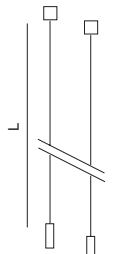
< suspension

[STEEL WIRE suspension type1]



- A 21126 | $\sqrt{0,49}$ | L = 1,25m
- A 21127 | $\sqrt{0,88}$ | L = 4m

[STEEL WIRE suspension down]



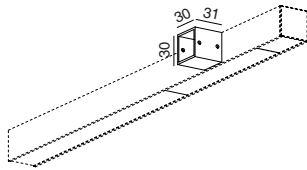
- A 21148 | $\sqrt{1,00}$ | L = 1,25m
- A 21149 | $\sqrt{2,33}$ | L = 10m

2. WALL-MOUNTED

668

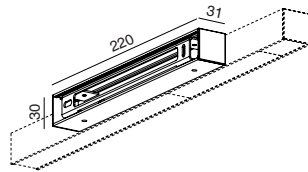
[Wall fixing set]

A 28975



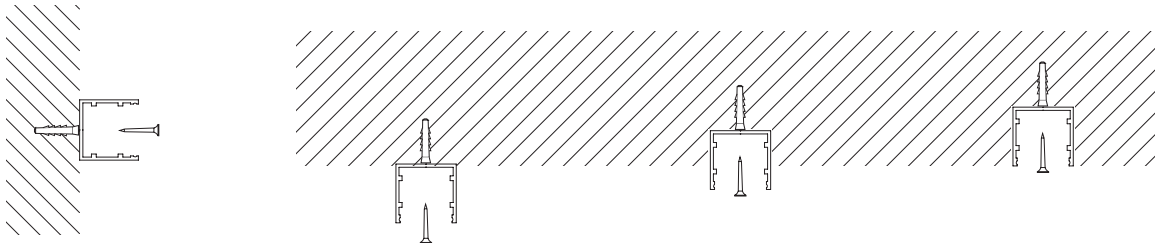
[WALLBOX]

A 28990



3. DIRECT CEILING/WALL-MOUNTED

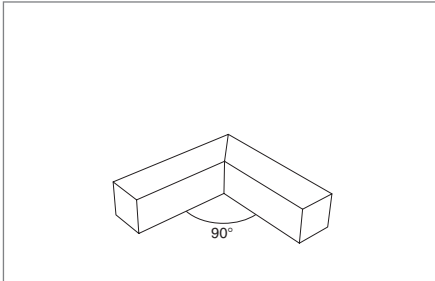
[Direct ceiling-wall fixation]



D/SHAPE

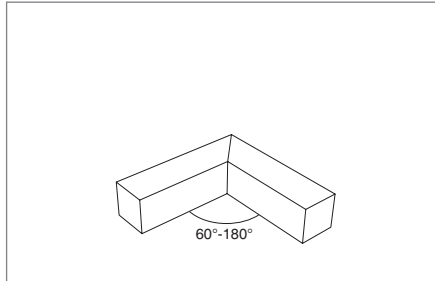
**SIDONY 90°
connection horizontal**

28976



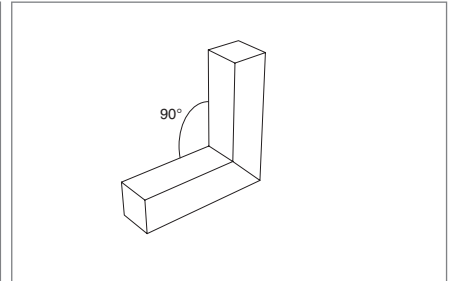
**SIDONY 60-180°
connection horizontal**

28978



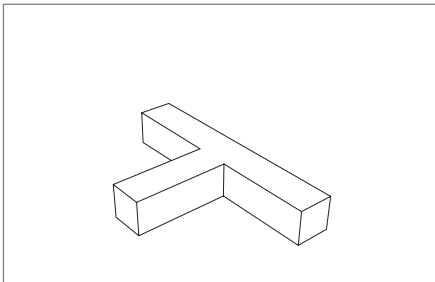
**SIDONY 90°
connection vertical**

28979



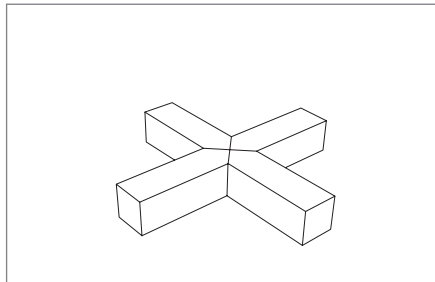
SIDONY T-connection

28972



SIDONY X-connection

28973

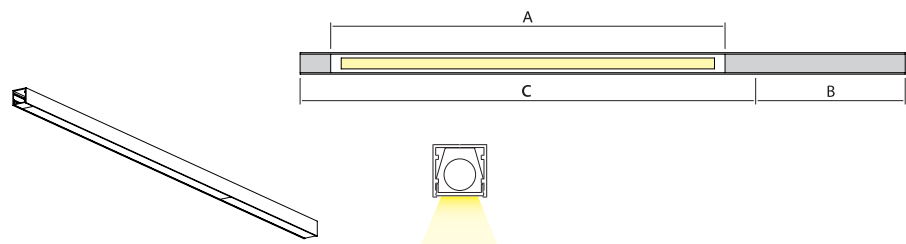


E/MODULES

1. GENERAL LIGHTING < PLEXI

[SIDONY module down + plexi]

≡ | G5 | EVG | 220...240V | 50...60Hz | \triangle | (P) | IP20 | --- | ---



		EVG	ANA DIM	DSI DIM	DALI DIM	A (mm)	B (mm)	C (mm)	---
T5-FH14W	28980	-0-000				580	220	670	0,35
T5-FH21W	28981	-0-000				880	220	970	0,38
T5-FH28W	28982	-0-000				1180	220	1270	0,41
T5-FQ24W	28983	-0-000				580	220	670	0,35

Provided with a prismatic satinised polycarbonate down.